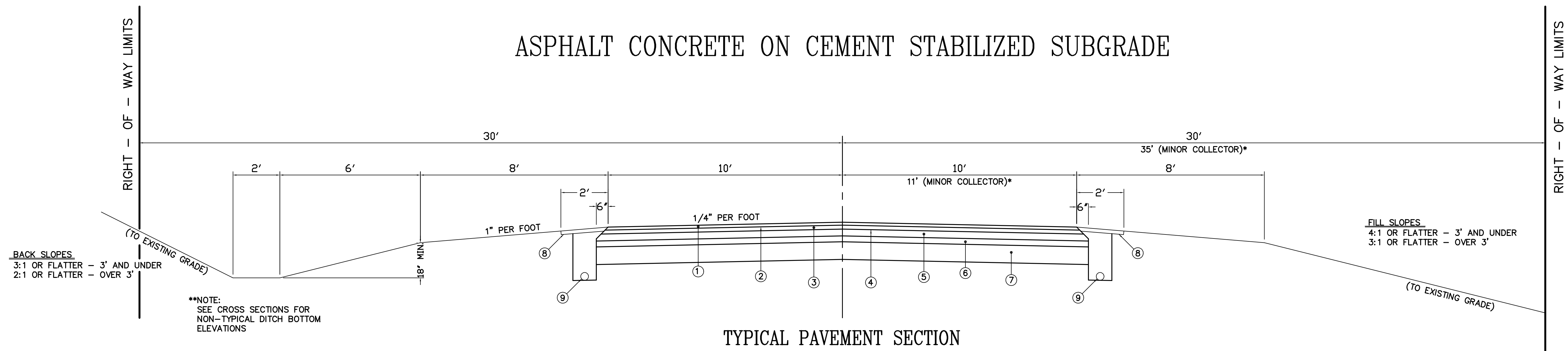
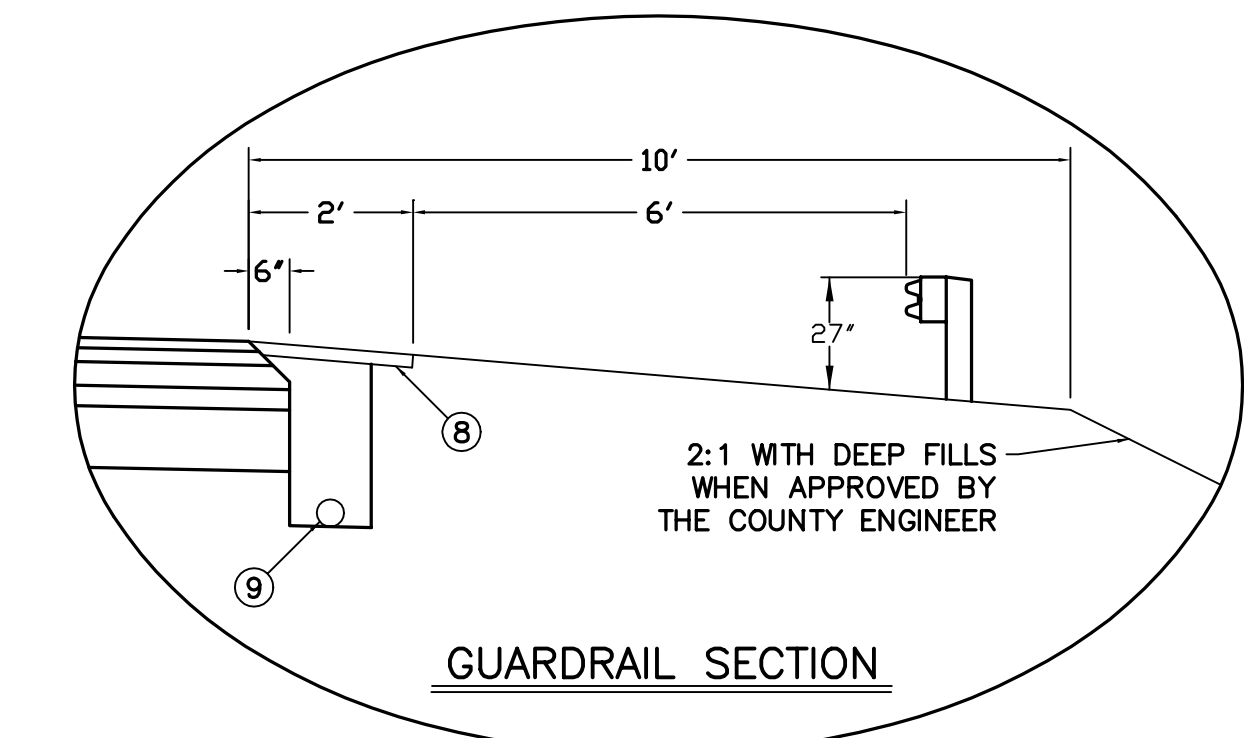


# ASPHALT CONCRETE ON CEMENT STABILIZED SUBGRADE



- | No. | MATERIAL   |
|-----|--|
| ①   | 1.5" ITEM 448 ASPHALT CONCRETE SURFACE COURSE, TYPE 1, (SECOND YEAR).  |
| ②   | ITEM 407 TACK COAT APPLIED AT 0.1 GALLONS PER SQUARE YARD.   |
| ③   | 2" ITEM 448 ASPHALT CONCRETE INTERMEDIATE COURSE, TYPE 2, (FIRST YEAR).  |
| ④   | ITEM 407 TACK COAT APPLIED AT 0.1 GALLONS PER SQUARE YARD, OR AS DIRECTED BY THE MEDINA COUNTY ENGINEER.   |
| ⑤   | 3.5" (6"-PRINCIPAL COLLECTOR) ITEM 301 BITUMINOUS AGGREGATE BASE MATERIAL.   |
| ⑥   | 3" - No. 304 COMPACTED LIMESTONE AGGREGATE BASE  |
| ⑦   | 9" CEMENT STABILIZED SUBGRADE (SEE SUPPLEMENTAL SPECIFICATIONS) (NOTE: DEPTH TO BE INCREASED AS DIRECTED BY ENGINEER BASED ON INITIAL PROOFROLL) |
| ⑧   | No. 411 LIMESTONE BERM, 2 FEET WIDE, THICKNESS VARIABLE. TO BE INSTALLED AFTER SECOND YEAR PAVING IS COMPLETED.                                  |
| ⑨   | PERFORATED 4" UNDERDRAIN (SEE UNDERDRAIN NOTE).  |
- NOTE:** AT THE END OF THE TWO YEAR MAINTENANCE PERIOD AN ADDITIONAL LEVELING BERM OF No. 411 LIMESTONE, TWO FEET WIDE, SHALL BE INSTALLED AS NECESSARY TO REESTABLISH A TYPICAL CROSS-SECTION.

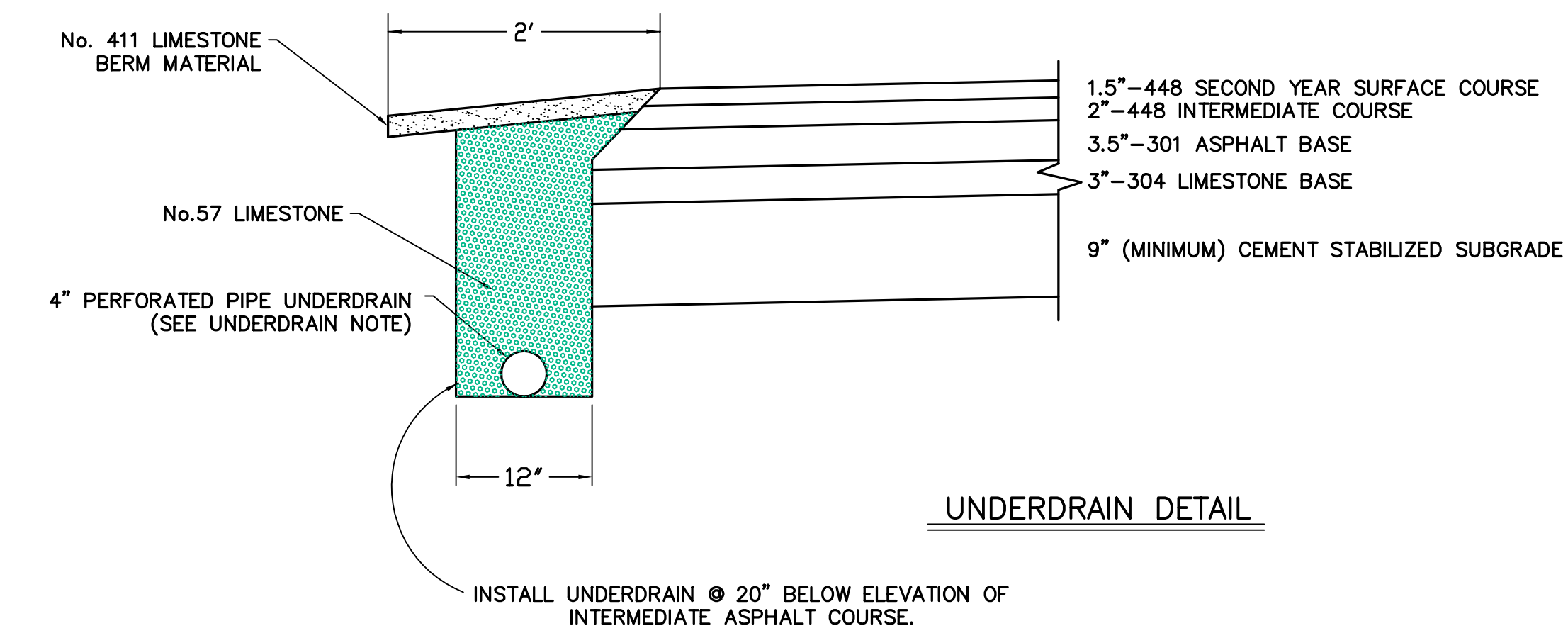


## MEDIUM TRAFFIC ASPHALT CONCRETE

### MATERIALS - PLANT MIXES:

- A. AGGREGATES:**  
ALL AGGREGATES USED IN ITEM 448 SURFACE AND ITEM 448 INTERMEDIATE COURSE MIXES SHALL BE CRUSHED LIMESTONE. AGGREGATES SHALL CONFORM TO OHIO DEPARTMENT OF TRANSPORTATION (ODOT) ITEM 703 SPECIFICATIONS. THE USE OF RECLAIMED MATERIALS IS PROHIBITED IN ANY ITEM 448 OR ITEM 448 PLANT MIX. AGGREGATES FOR ITEM 301 BITUMINOUS BASE MIX CAN BE EITHER LIMESTONE OR GRAVEL MEETING SPECIFICATIONS OF ODOT ITEMS 301 AND 703. USE OF UP TO 20% RECLAIMED MATERIALS IN AN ITEM 301 MIX WILL BE ACCEPTABLE.
- B. BITUMINOUS MATERIAL SHALL BE PG64-22 FOR ALL MIXES.**
- C. ASPHALT CONCRETE:**  
ALL REQUIREMENTS IN SECTION 400 OF THE "OHIO DOT CONSTRUCTION AND MATERIALS SPECIFICATIONS" SHALL APPLY TO MIXING, HAULING, SPREADING, COMPACTING AND TEMPERATURE RANGES OF ALL PLANT MIXES UNLESS OTHERWISE NOTED BY MEDINA COUNTY ENGINEER OR HIS AUTHORIZED REPRESENTATIVE.
- D. MIX DESIGNS - TESTING:**  
AT LEAST TWO (2) WEEKS PRIOR TO MATERIAL PRODUCTION, THE CONTRACTOR SHALL SUBMIT A JOB MIX FORMULA (JMF) FOR EACH SPECIFIED MATERIAL. MIXES SHOULD BE ODOT MEDIUM TRAFFIC PROVEN AND ACCEPTED DESIGNS COMPLYING WITH M.C.E. CRITERIA NOTED ABOVE. NO PAVEMENTS SHALL BE PLACED WITHOUT A MIX DESIGN APPROVAL BY THE MEDINA COUNTY ENGINEERS. DURING PAVING OPERATIONS, TWO (2) MATERIAL SAMPLES (PER MIX TYPE) PER DAY WILL BE OBTAINED AND SENT TO AN AUTHORIZED LABORATORY FOR EXTRACTION/GRADATION TESTING. BITUMEN DEVIATION RANGE IS ±0.3% AS PER ODOT ITEM 441. PAVEMENT ACCEPTANCE WILL BE BASED ON TEST RESULTS COMPARED TO MIX DESIGN SPECIFICATIONS.

- E. TACK COAT:**  
MATERIAL SHALL MEET APPLICABLE REQUIREMENTS OF ODOT ITEMS 407 AND 702 SPECIFICATIONS AND BE APPLIED AT 0.1 GALLONS PER SQUARE YARD IN BETWEEN PAVING LIFTS OR WHEN DIRECTED BY THE MEDINA COUNTY ENGINEER.
- F. LIMESTONE AGGREGATE BASE:**  
CONTRACTOR SHALL INSTALL A THREE (3) INCH THICK COMPACTED NO. 304 LIMESTONE AGGREGATE BASE UNDER ALL PROPOSED PAVEMENT AREAS. BASE SHALL BE IN ACCORDANCE WITH ODOT ITEMS 304 AND 703.04 SPECIFICATIONS. YIELD SHOULD BE 4,000 LBS. PER CUBIC YARD.
- UNDERDRAINS:**  
PIPE UNDERDRAINS SHALL BE INSTALLED ALONG ALL PAVEMENT EDGES. DRAINS SHOULD OUTLET AT 500 FOOT MAXIMUM SPACINGS AND SHALL CONNECT TO CULVERTS, MANHOLES AND CATCH BASINS WITH A 6" CORE. IF STRUCTURES ARE MORE THAN 500 FOOT APART, THE DRAINS SHOULD OUTLET TO THE ROADSIDE DITCH OR DRAINAGE CHANNEL AS DIRECTED BY THE ENGINEER. UNDERDRAINS SHALL BE CONSTRUCTED USING PERFORATED 4" CORRUGATED POLYETHYLENE SMOOTH-LINED PIPE (PER O.D.O.T. ITEM 707.33). BACKFILL MATERIAL SHALL BE No. 57 LIMESTONE.
- MONUMENT PINS:**  
WHERE INDICATED ON THE PLANS, CONTRACTOR SHALL PROVIDE FOR MONUMENTATION OF THE RIGHT-OF-WAY CENTERLINE. THREE (3) INCH DIAMETER CORE HOLES SHOULD BE MADE THROUGH THE COMPLETED ASPHALT PAVEMENT. SURVEYORS SHOULD THEN SET 3/4" DIAMETER BY 30" LONG IRON PINS. HOLES SHOULD THEN BE FILLED FLUSH WITH SURFACE OF STREET TO THE FULL DEPTH OF PAVEMENT WITH NON-SHRINK GROUTING MATERIAL. WHEN THE SECOND YEAR SURFACE COURSE IS PLACED THE CONTRACTOR SHALL INSTALL MONUMENT BOX CASTING EJW #2965 OR APPROVED EQUAL.



OFFICE OF THE <b>MEDINA COUNTY ENGINEER</b> MICHAEL J. SALAY, P.E., P.S. MEDINA COUNTY ENGINEERING CENTER 791 W. SMITH ROAD P.O. BOX 825 MEDINA, OHIO 44258-0825 Ph. (330) 723-9561			PROJECT: <b>TYPICAL PAVEMENT SECTION                  RURAL RESIDENTIAL</b>	PROJECT No. --- FIELD BOOK No. --- DATE: JUNE 2004 DRAWN BY: S.HAWK HORIZONTAL SCALE: AS NOTED CHECKED BY: H.GERSPACHER VERTICAL SCALE: AS NOTED COMPUTER FILE No. M:\SUBDIV\conc_stabilized_rural.dwg REV. No. DATE DESCRIPTION DRAWN BY PAGE 1 FEB 06 301 BASE - % RECYCLED MATERIAL D.B. 0F
--	--	--	--	---

THE DESIGN ENGINEER WHOSE STAMP OR SIGNATURE IS AFFIXED TO THIS SET OF PLANS CERTIFIES UNDER THE PENALTY OF PERJURY THAT THE INFORMATION ON THIS SHEET HAS NOT BEEN MODIFIED FROM ITS ORIGINAL FORM UNLESS EXPRESSLY APPROVED BY THE MEDINA COUNTY ENGINEER'S OFFICE.